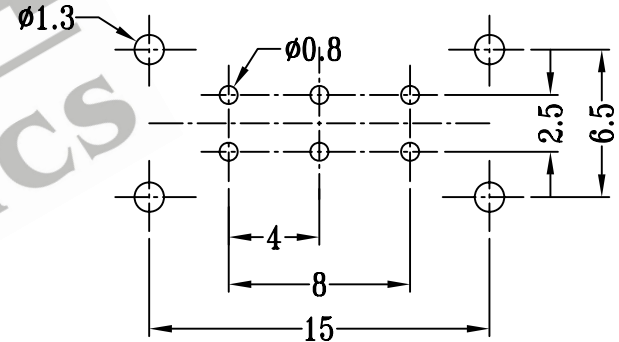
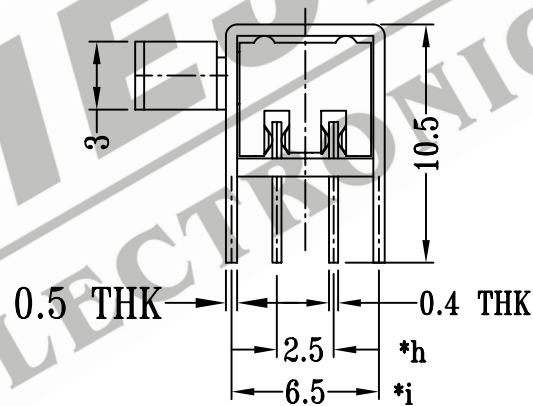
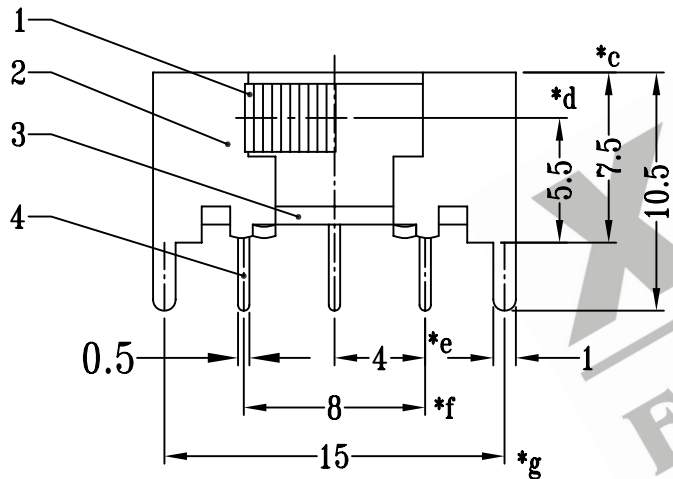
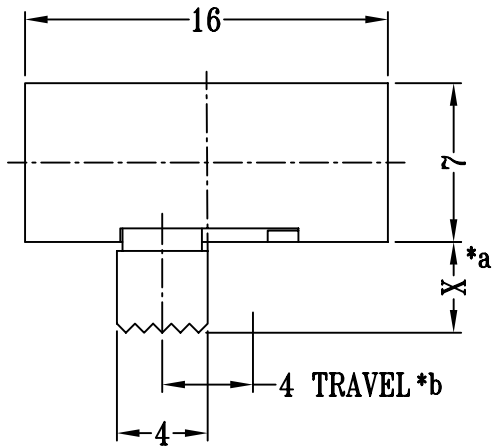


CAD FILE:



SCHMATIC (NON-SHORTING)

P.C.B LAYOUT

注:带"*"表示关键尺寸(9个)

8					TOLERANCE UNLESS SPECIFIED	SHENZHEN XIEJIA ELECTRONICS CO.,LTD.				
7	CONTACT CLIP	PBS STRIP	2	Ag PLATED	WITHIN: 1.5±0.1mm	ISSUE	DATE	DESCRIPTIONS OF REVISION		APPD.
6	SPRING	STEEL WIRE	1	TEMPER	OVER: 1.5±0.2mm					
5	STEEL BALL	STEEL	1	NATURAL	TITLE : HORIZONTAL SLIDE SWITCH	UNIT : mm		DRWG NO.: XJ-DR-SK22H13-00		
4	TERMINAL	BRASS STRIP	6	Ag PLATED OVER Ni PLATED		MODEL: SK-22H13		SCALE: 3:1	DWN.	ZHOUYU
3	BASE	PHENOLIC RESIN	1	NATURAL	ALL MATERIALS MUST BE COMPLIANT TO ROHS			CHK'D	FANGYING	2008-3-25
2	FRAME	STEEL STRIP	1	Ni PLATED				APPD.	KANGXINAN	2008-3-25
1	KNOB	POM	1	BLACK						
NO.	PARTS	MATERIALS	Q'TY	FINISH						